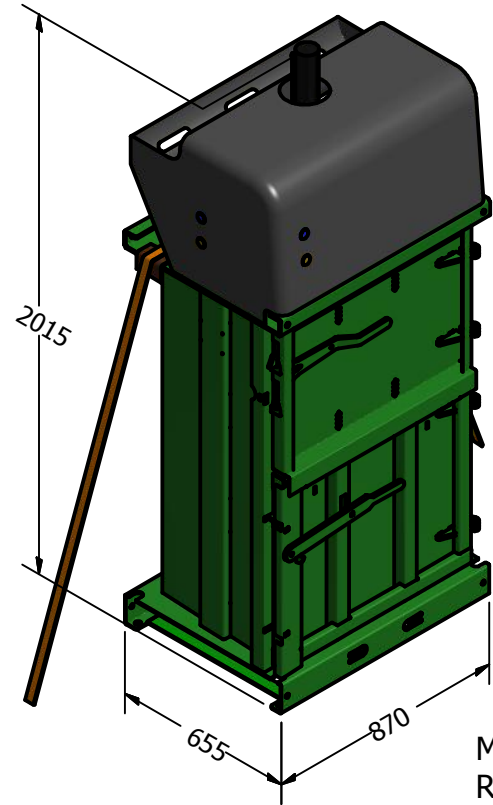
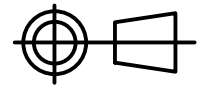
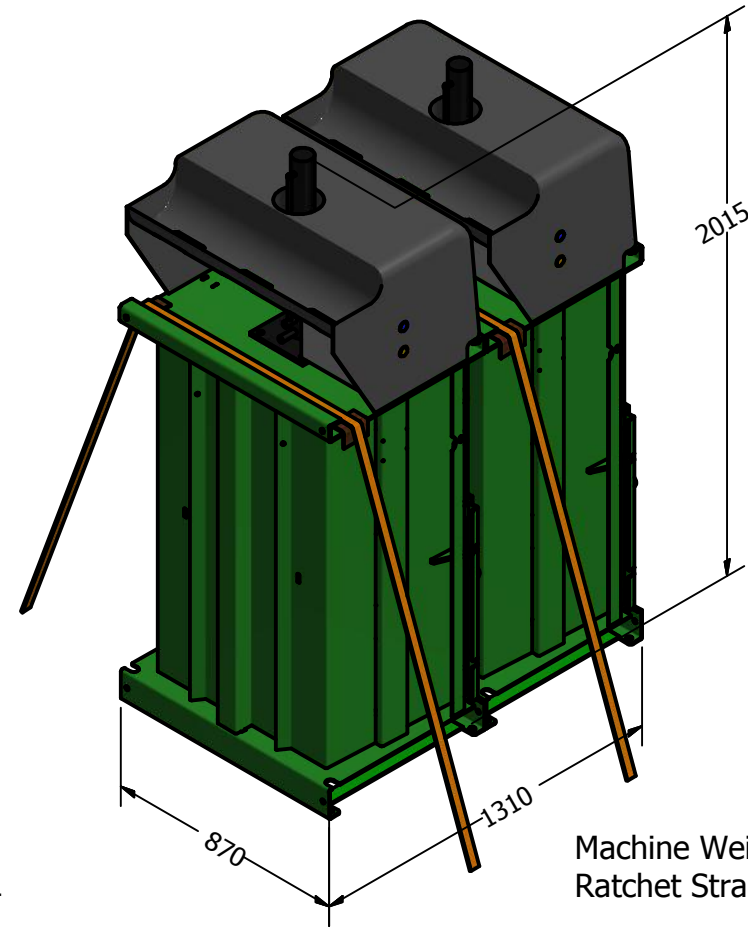


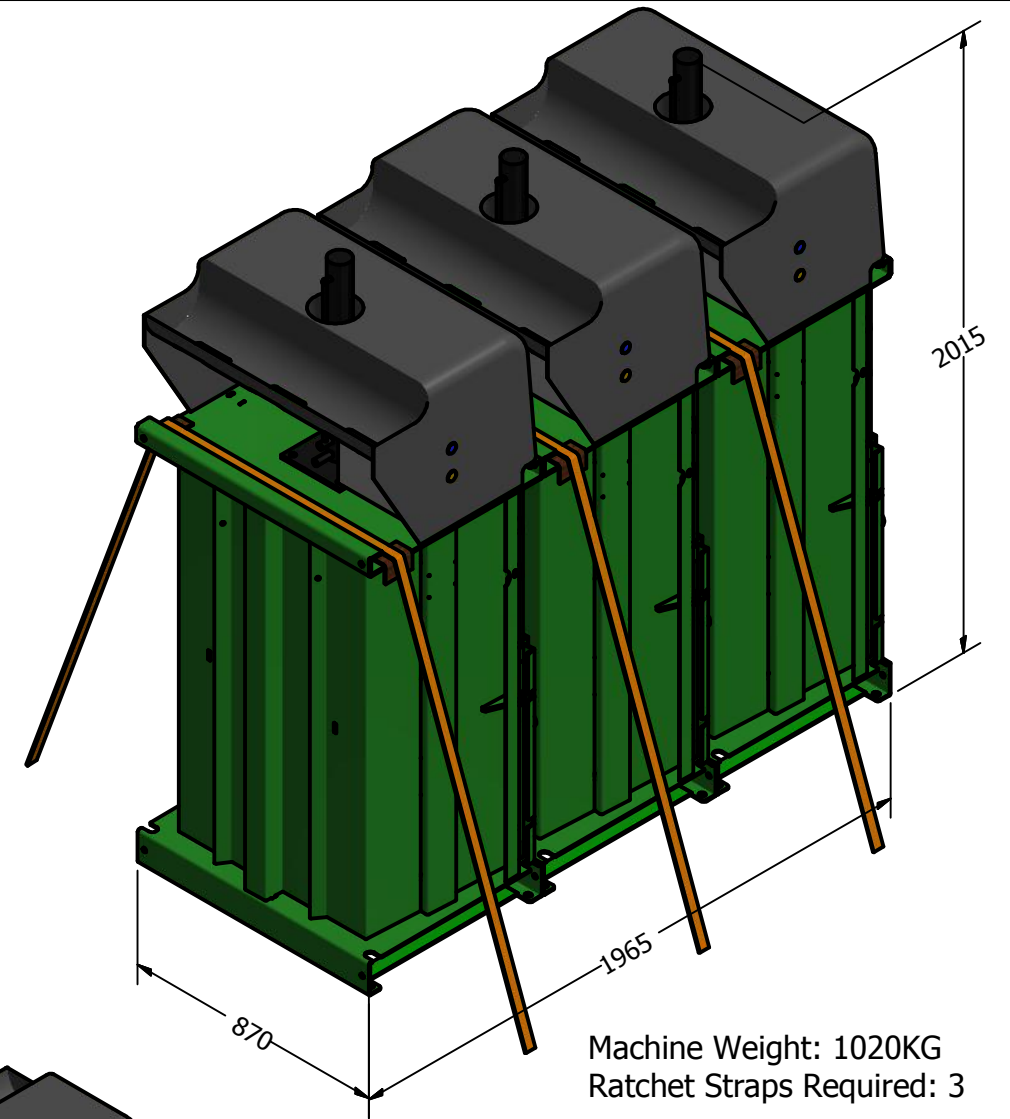
THIRD ANGLE PROJECTION



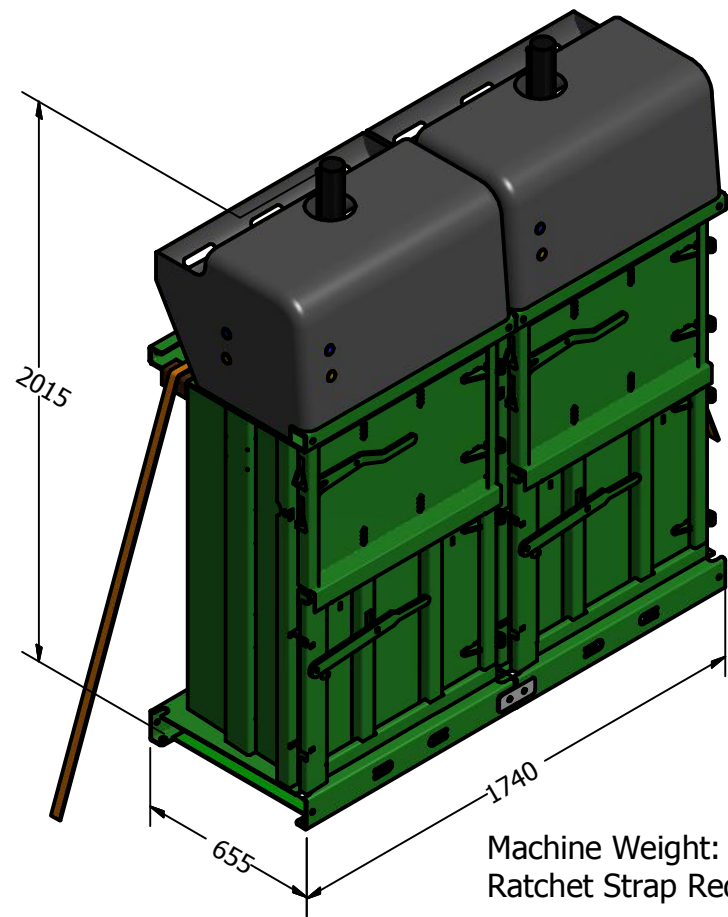
Machine Weight: 340KG  
Ratchet Strap Required: 1



Machine Weight: 680KG  
Ratchet Straps Required: 2

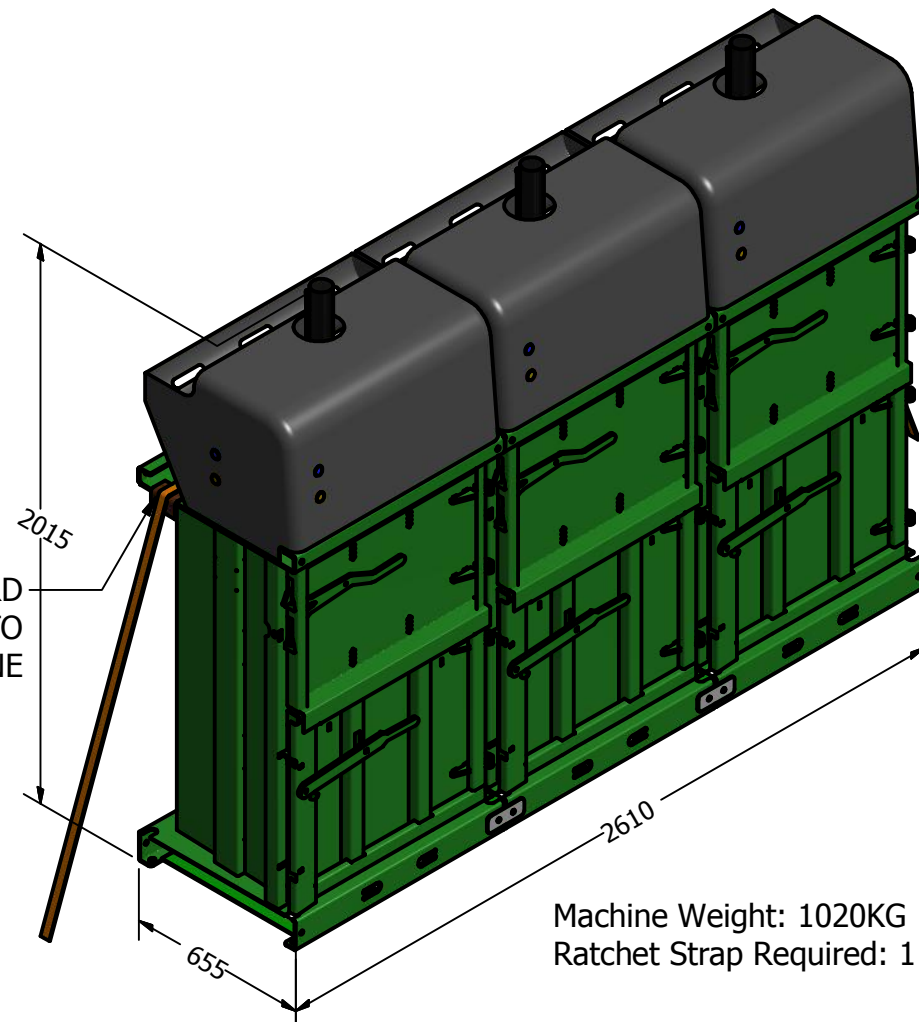


Machine Weight: 1020KG  
Ratchet Straps Required: 3



Machine Weight: 680KG  
Ratchet Strap Required: 1

USE A PIECE OF CARDBOARD  
TO PREVENT DAMAGE TO  
THE MACHINE



Machine Weight: 1020KG  
Ratchet Strap Required: 1



WWW.LSMLTD.COM

MODEL CODE	V5
MACHINE WEIGHT	As Per Drawing
RATCHET STRAP REQUIRED	As Per Drawing