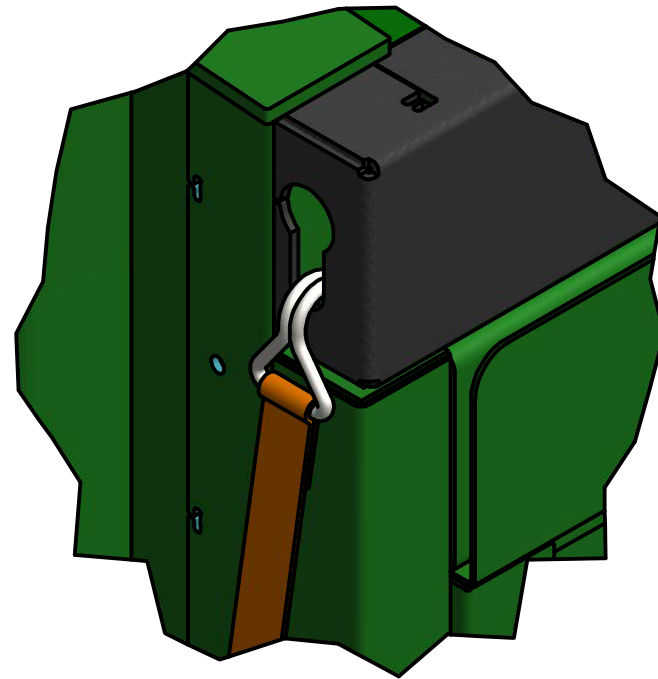
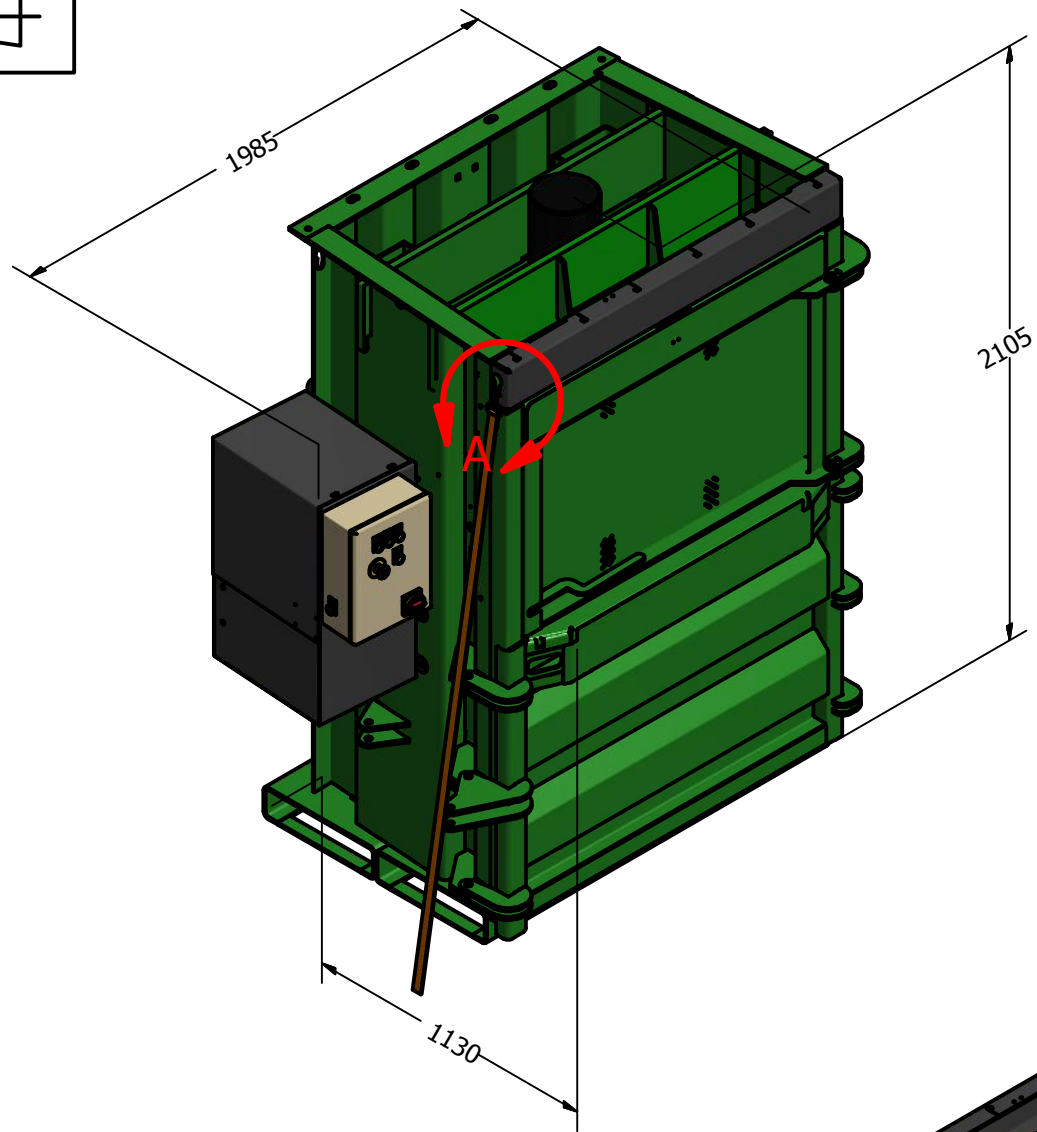
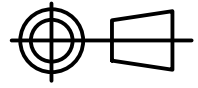
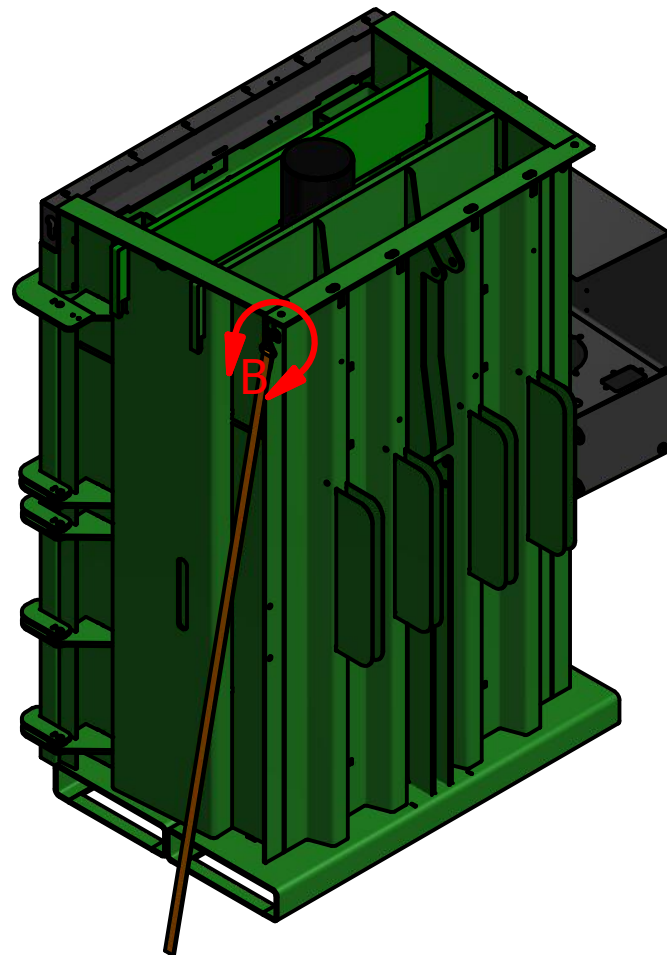


THIRD ANGLE PROJECTION



DETAIL A
SCALE 0.25



DETAIL B
SCALE 0.3



WWW.LSMLTD.COM

MODEL CODE	V50
MACHINE WEIGHT	1870KG
RATCHET STRAPS REQUIRED	2