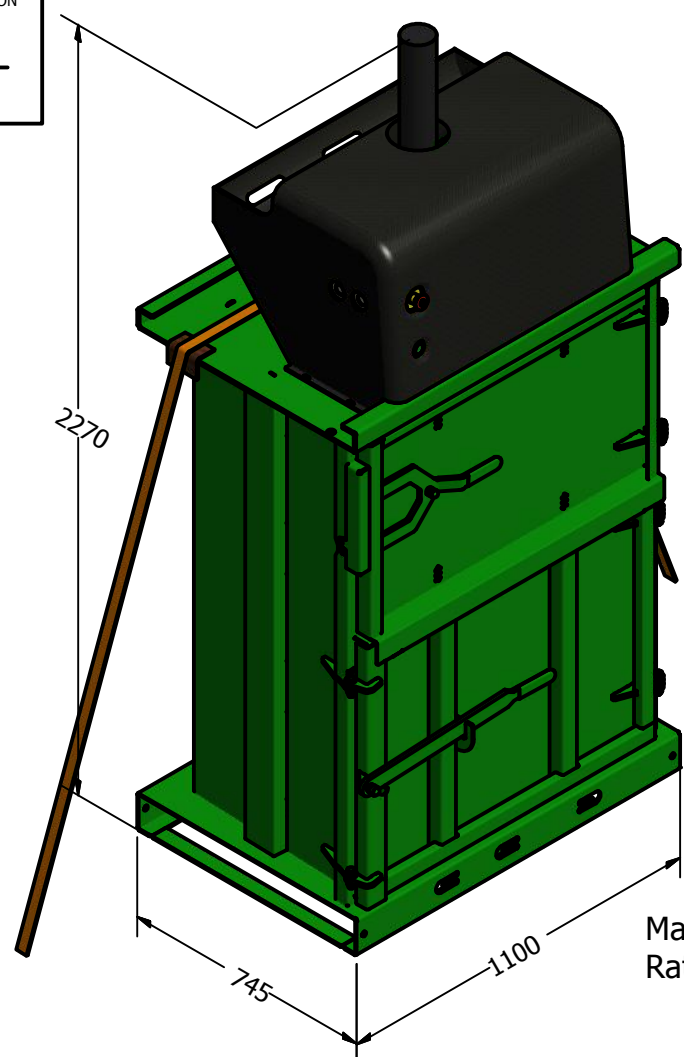
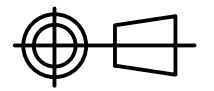
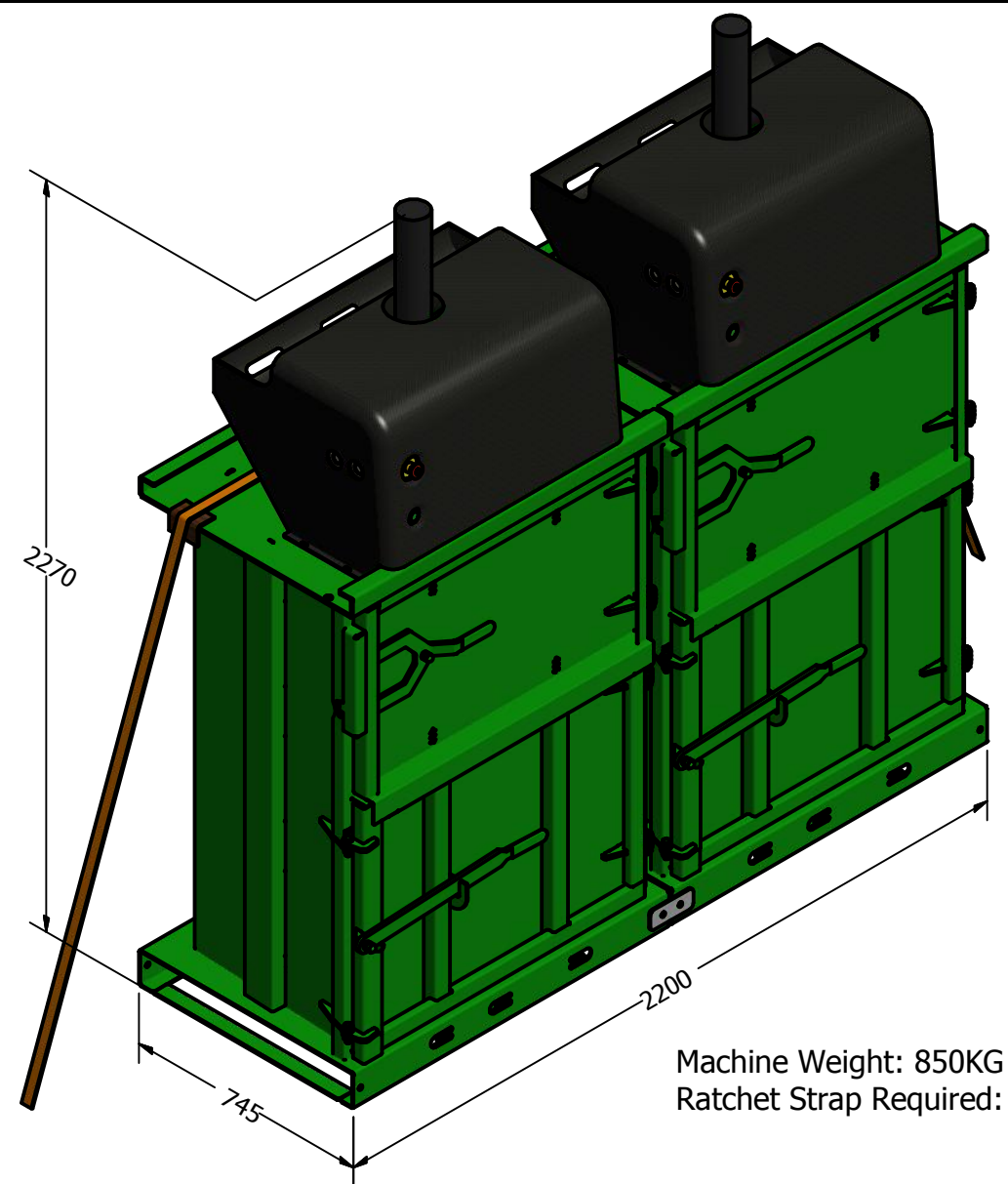


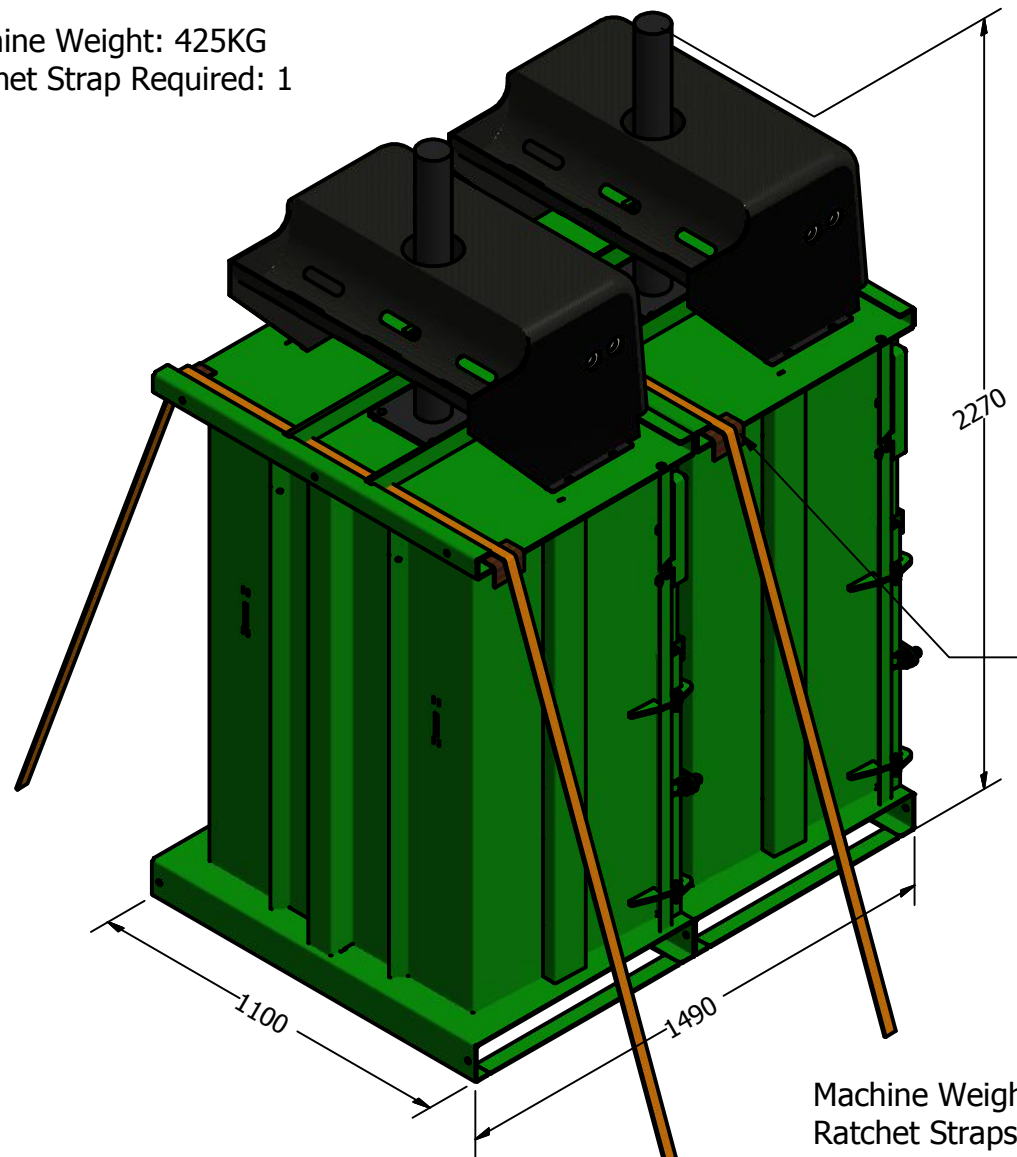
THIRD ANGLE PROJECTION



Machine Weight: 425KG
Ratchet Strap Required: 1



Machine Weight: 850KG
Ratchet Strap Required: 1



Machine Weight: 850KG
Ratchet Straps Required: 2

USE A PIECE OF CARDBOARD
TO PREVENT DAMAGE TO
THE MACHINE



WWW.LSMLTD.COM

MODEL CODE	V8
MACHINE WEIGHT	As Per Drawing
RATCHET STRAP REQUIRED	As Per Drawing