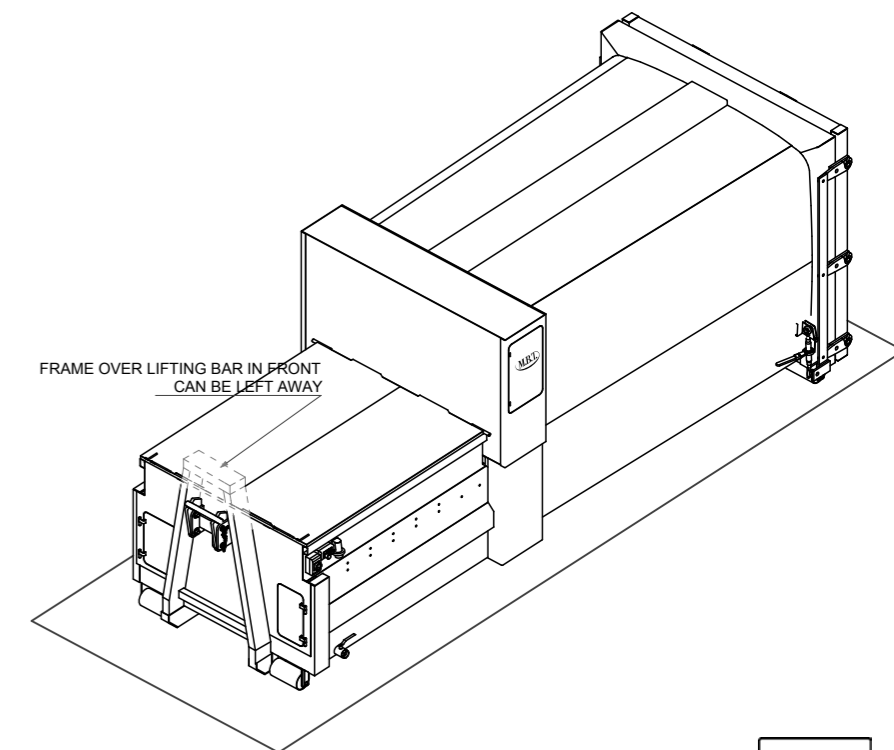
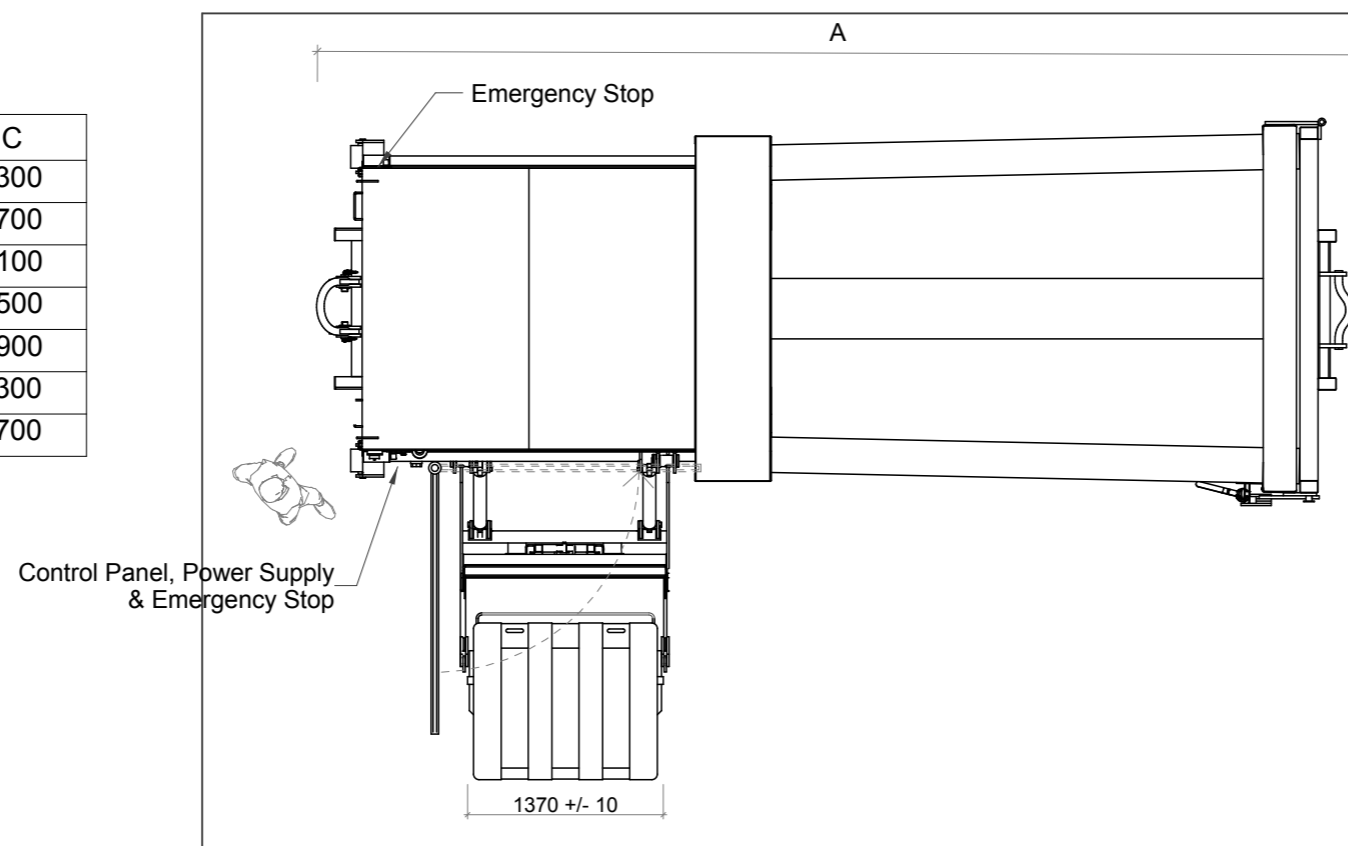

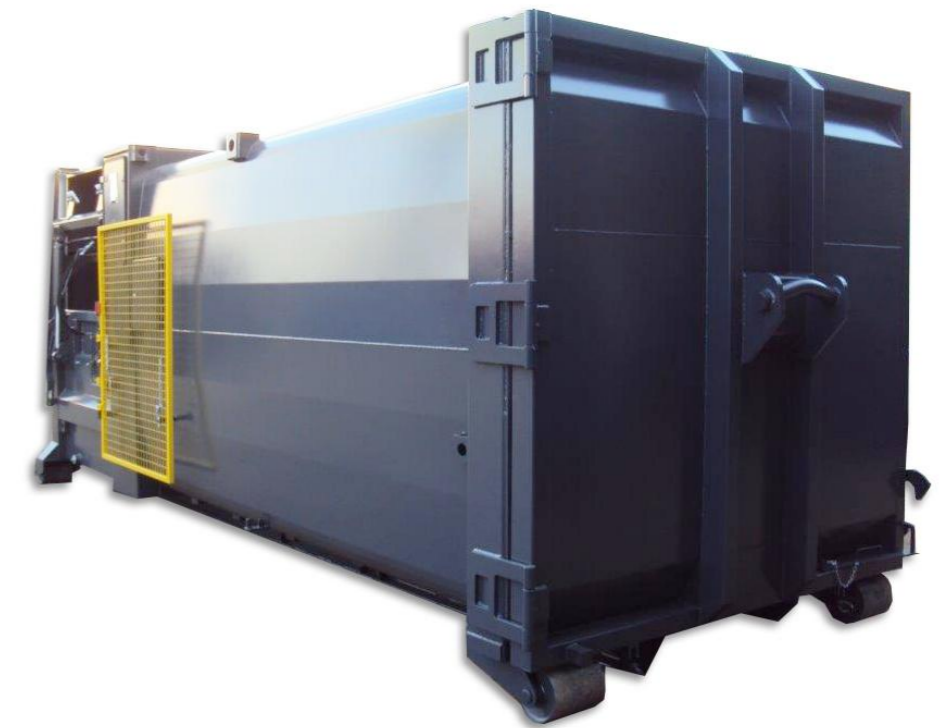
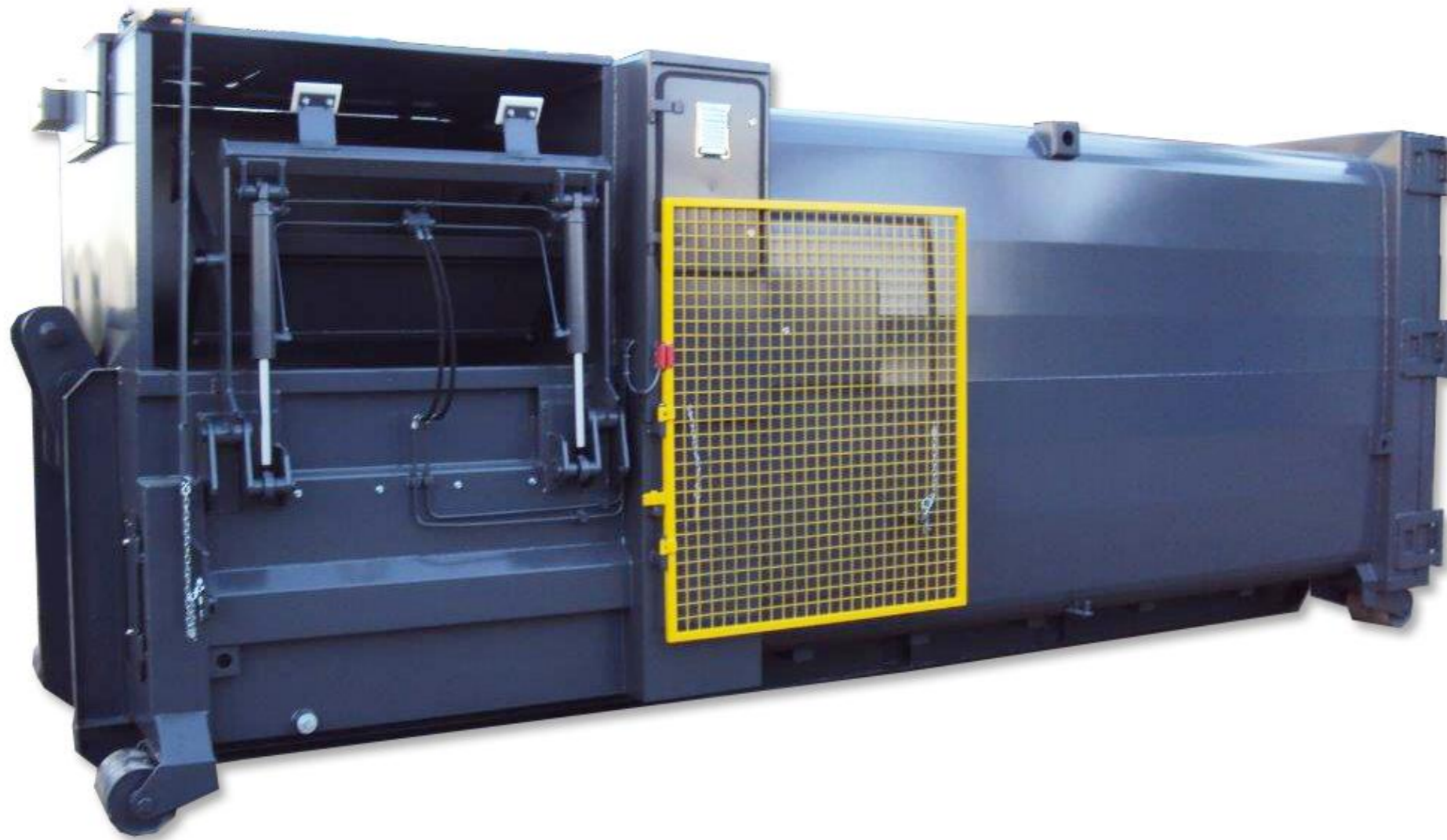


Model	A	B	C
L 12	5660	5535	2300
L 14	6060	5935	2700
L 16	6460	6335	3100
L 18	6860	6735	3500
L 20	7260	7135	3900
L 22	7660	7535	4300
L 24	8060	7935	4700



Released for execution and delivery		Signature / Company	Date
SIDE LOADER L-Type Selfcontained compactors with subframe according C.H.E.M. technical standards (British standard)			
 LSM Engineering Ballymacken, Portlaoise, Co Laois, Ireland www.lsm ltd.com		Name	Date
		Scale	
Drawn	IDO	14.08.2017	
Checked	JHE	14.08.2017	



Released for execution and delivery		Signature / Company	Date
SIDE LOADER L-Type Selfcontained compactors with subframe according C.H.E.M. technical standards (British standard)			
 LSM Engineering Ballymacken, Portlaoise, Co Laois, Ireland www.lsmtd.com		Name	Date
		Scale	
Drawn	IDO	14.08.2017	
Checked	JHE	14.08.2017	